

# **GRAYS HARBOR RACEWAY**

## **2023 Modified Track Rules and Procedures**

### **RULE BOOK DISCLAIMER**

The rules and/or regulations set forth herein are designed to provide the orderly conduct of racing events and to establish minimum acceptance requirements for such auto racing events. These rules shall govern the condition of all events, and by participating in these events, all participants are deemed to have complied with these rules.

### **NO EXPRESS OR IMPLIED WARRANTY OR SAFETY SHALL RESULT FROM PUBLICATION OF, OR COMPLIANCE WITH THESE RULES AND/OR REGULATIONS.**

These rules and regulations are intended as a guide for the conduct of auto racing at Grays Harbor Raceway (GHR) Events and are no way a guarantee against injury, or death to a participant, spectator, officials or others. The Race Director and/or Technical Director shall be empowered to permit minor deviation from any of the specifications or rules herein, or impose any further restrictions that, in their opinion, do not alter the minimum acceptable requirements.

### **NO EXPRESS OR IMPLIED WARRANTY OR SAFETY SHALL RESULT FROM SUCH ALTERATION OF THESE SPECIFICATIONS OR RULES.**

Any interpretation of, or deviation from these specifications or rules is left to the discretion of the Race Director, **Race Manager** and/or Technical Officials. Their decision is final.

**Minor drivers and their parents are responsible to read and understand the rules and regulations set forth in this rule book.**

### **COMPETITOR OBLIGATION**

**Any driver entering any racing event is considered to have inspected the track and determined that all conditions are satisfactory. If the driver does not feel that conditions are satisfactory, then the driver should not race. The driver further acknowledges that he is aware that auto racing involves risks and that by competing in that event the driver assumes these risks with full awareness and knowledge.**

**ALL RULES ARE SUBJECT TO THE INTERPRETATION OF THE TRACK MANAGEMENT AND OFFICIALS, ANY EQUIPMENT THAT IS CONSIDER EXOTIC OR NOT IN THE SPIRIT AND INTENT OF THE RULES WILL BE CONSIDERED ILLEGAL FOR COMPETITION. *IN THE INTEREST OF FAIRNESS THE RULES MAY BE ADJUSTED TO CREATE A BALANCE IN COMPETITION.***

**The spirit and intent of the rules is the standard by which all GHR track events will be governed. GHR Track Tech officials are authorized to decide if an equipment change, or modification is an attempt to circumvent these rules. GHR Track officials can and will disqualify a race car in violation of the spirit or intent of these rules. If this rule book does not specifically state that you can alter, change or otherwise modify something on your car, you should consider it a violation of these rules. No part is deemed to have been approved by GHR track officials by passing through prior technical inspections. SPIRIT OF THE RULE. Spirit of the rule means very simply, the intent of every rule and classifications. Additional adjustments, alterations, modifications, and/or replacements not covered by written rules should NOT be assumed to be legal under the SPIRIT OF THE RULE.**

### **GENERAL INFORMATION**

The Owner / Driver of each car represents to the Promoter and all others, that his car has satisfied

all applicable rules, including but not limited to safety rules, whenever such Driver participated in any warm-up, practice or competitive laps. The Owner /Driver of each car is also completely responsible for ALL actions of Crew Members, Sponsors, or all else **associated with their team**. If you have any complaints, disputes, problems, or questions, only the Driver and/or Car Owner, or a designated team representative may approach and Official, in a civil manner to resolve the situation.

*All participants are expected to take pride in being part of Grays Harbor Raceway's weekly program. Auto racing entertainment is what we have to offer and we will not tolerate the lack of professional attitude, conduct or appearance of car, driver crew or others involved.*

Any prohibited or illegal part found may become the property of Grays Harbor Raceway.

Burden of proof for all construction, safety and legality rules will be the responsibility of the driver and/or car owner.

These rules are a guidelines. Contact the Race Director / Technical Officials for questions about your racecar.

These rules are intended to create an inexpensive class of racing that is equally competitive and affordable for all participants with Grays Harbor Raceway.

Rules may be subject to change at any time in order to ensure a safe competitive level of competition.

## **ELIGIBILITY**

1.

All drivers should be at least **sixteen (16)** years of age. **Drivers under age 16 with prior experience may request a variance.** Must follow the age RECOMMENDED REQUIREMENTS as HIGHLY RECOMMENDED by our INSURANCE COMPANY prior to participating at Grays Harbor Raceway and must be approved prior to entering any event. Refer to the age guidelines on our website and follow the request procedures in advance.

**All Drivers age of 16 AND 17** must follow the age RECOMMENDED REQUIREMENTS as HIGHLY RECOMMENDED by our INSURANCE COMPANY prior to participating at Grays Harbor Raceway and must be approved prior to entering any event. Refer to the age guidelines on our website and follow the request procedures in advance.

Individuals **under the age of eighteen (18)** must have a **signed**, minor release consent form from **parent** or legal guardian on a form supplied by Grays Harbor Raceway, and signed in front of staff to enter the restricted area.

2. Releases signed by individuals under 21 years of age are not valid in the State of Washington.

3. All Modified drivers, must be registered members of track/Grays Harbro Raceway in good standing.

4. All entrants must have a valid event pit pass. **ENTRANTS MUST WEAR THEIR PIT BAND AT ALL TIMES.**

## **PROTEST, APPEALS AND COMPLAINTS**

1. All manner in which protests and appeals must be made in the Modified Division, shall be governed by this rulebook. Any protests, disputes, questions, or problems must be directed, **by the Driver or the registered Car Owner to the Race Director/Race Official** in the pits.

2. Protests, as to an official decision, must be submitted in writing, by the Driver or registered Car Owner to the **Race Director/ Race Official** in the pits within 15 minutes of the checkered being levied. Only a Driver or registered Car Owner in the same class and event may submit a protest.

3. If a current member who is a competitor believes that another competitor has or will obtain a significant unfair advantage by some action that the member believes is in violation of the rules, the member may protest such action to the Grays Harbor Raceway Race Director/ Race Official in the pits. The protest must be made in writing by the competitor (or Car Owner) within fifteen

minutes after the checkered flag is displayed signifying the completion of the race. Each separate protest shall be accompanied by a cash \$1000.00 protest fee. The Race Director and/or Technical Director shall decide whether the matter is protest-able, and if so shall decide the protest as promptly as possible, and shall inform the parties to the protest of the decision. A decision that the matter is not protest-able is final and non-appealable.

In deciding the protest, Grays Harbor Raceway Officials may take whatever action deemed appropriate to further the interests of fairness and finality in competition results. Such action includes, but is not limited to, revising the official race results, imposing penalties (disqualification's, suspension, fines, and/or loss of finishing position(s) in the event), awarding or subtracting of points, or taking no action. Their decision is final. If the protest is allowed, the money will be reimbursed to the person protesting, less \$100.00 for chassis or \$250.00 for the engine, for administrative fees. If the protest is disallowed, the money will go to the person being protested, less \$100.00 for chassis or \$250.00 for the engine, for administrative fees.

### **TRACK RULES**

**1.** It is the responsibility of each race team to have in their possession, a current set of rules for the division that they are participating in. Protesting party must have a current set of rules outlining the provision of the protest.

**2.** The **Race Director/Race Officials** will be the sole **authority** in the pits. The **Race Manager with the assistance for the Race Director** will be in charge of on-track competition. The Technical Director **with the assistance of the Race Director** will enforce all tech legality and protests.

**3. Management** will establish the race event procedures; starting positions, length, frequency and administration of all events and programs. When their decision is rendered, that decision will be final and binding. The race may be shortened due to time allotted or weather conditions and once the race has passed the half waypoint, it will be an official race.

**4.** Any complaints, disputes, questions, or problems must be directed, **by the Driver or registered Car Owner**, to the Race Director/Race Official in the pits immediately following the event.

**5.** When asked to remove a part or tear down for tech inspection and you refuse, you are subject to a fine, probation, disqualification, and/or suspension.

**6. Protests, complaints, disputes, or problems, will be handled in the pits at the completion of that race or completion of the nights racing events if possible by the Race Director. Complaints are not to be made to the scorers or announcers. Any driver, car owner, crew member or family member who goes to the scoring tower at any time to dispute a call will result in the driver and/or car owner of the car being fined and or suspended.**

**7.** Any Driver stopping on the racing surface to argue with an Official, in regards to an official's decision, will be automatically sent to the rear of the field or disqualified from the event the Race Director will have the final authority

**8.** Any Driver or Crew Member who is injured or involved in an accident must submit to a check by the medical attendants. Any Driver involved in a serious accident will not enter or re-enter a race until approval to do so is given by Officials and medical attendants.

**9. Driver's meeting is mandatory. Driver must attend;**

#### **10. Packing the Track**

All persons packing the track must sign in at the pit gate as a driver.

All persons packing the track must wear all appropriate safety gear and follow packing directions from track workers. Anytime a car is on the track the driver must maintain a minimum 3' (36 inches) between the car and any track worker or official.

**11.** Radios are **NOT** allowed in the Modified division. Raceceivers are mandatory in the Modified division. **All cars must run a transponder.**

**12.** Permission must be obtained from the Race Director before entering the track, other than

the designated practice or race time may be taken. **It is the car owner / drivers responsibility to make sure that their car is legal and meets all safety standards. It is not the management's responsibility other than at post race inspections.**

**13.** Any unauthorized persons entering onto the racing surface during race conditions will result in a disqualification, penalty, fine, or suspension, to the person and affiliated Driver.

**14.** No personal cars or vehicles in the pit area.

**15.** One person should remain with the race car at all times.

**16.** All Rookie drivers must start at the back of all events for the first two weeks of racing **or until deemed by race management to be capable of starting in his/hers earned position.** Rookies must have a rookie ribbon on the back of the car.

**17.** Unsportsmanlike conduct by drivers will not be tolerated. An appropriate penalty will be issued.

**18.** Verbal or physical abuse of any Race Official, Management or anyone will not be tolerated. May be subject to Minimum one week suspension, fine or both.

**19.** Any competitor or Crew Member who participated in a fight **or verbal bullying** in the pits, or on the race track, or on the premises, may be subject to a minimum of \$500.00 fine, suspension, and/or loss of points and positions in the event.

**20.** Any competitor or Crew Member, who has a pit band, who is **under the influence** of any alcoholic beverage, drugs or is otherwise under the influence **of any controlled substances** will result in disqualification and a possibly a minimum fine of \$500.00 along with a suspension..

**21. Prescription Drugs** Any participant using over the counter medication or medication prescribed to them by a physician that may restrict or impair their ability to perform a task should not attempt to perform the task

**22.** Any competing car, whose **speed has been reduced** to the point where it could cause a safety problem, may be removed **from the racing surface** at the option of the Race Manager.

**23. If at the conclusion of the season 2 or more drivers and / or car owners are tied in points they will be awarded equally for the tied position.**

**24. ROOKIE OF THE YEAR:** If you are competing for Rookie of The Year, you must not have competed in more than five (5) races in your division and/or an upper division, in any year prior.

**25.** Any car continuously unable to start under its own power may be liable for a penalty or disqualification from the event or from the complete program.

**26.** Any Driver or Crew that does not take their car to the line-up grid, when requested by the Officials, may be required to start at the back of the line-up for that event.

**27.** If a car is dead on the track, when racing is in progress, the Driver must stay in the car with seat belts fastened until the race is stopped, except in case of a fire or rollover. Failure to comply may result in a penalty, disqualification, and/or suspension.

**28.** No racecars will be allowed on the track until the track has been opened for official practice or racing.

**29.** No persons allowed to ride on the outside of a racecar, tow vehicle or trailer at any time.

**30. Car Owner and Driver are Responsible for**

**WASTE OIL:** MUST BE PLACED IN THE WASTE OIL BARRELS AT THE DESIGNATED WASTE OIL AREA. FAILURE TO DO THIS WILL RESULT IN A MINIMUM FINE OF \$200.00

**TIRES:** TAKE THEM WITH YOU, DO NOT LEAVE THEM AT THE TRACK OR FAIRGROUNDS. FAILURE TO DO THIS WILL RESULT IN MINIMUM FINE OF \$200.00

**GARBAGE:** IN YOUR PIT AREA, CLEAN UP YOUR AREA AND USE THE TRASH CANS AVAILABLE THROUGHOUT THE PIT AREA.

**31.** No speeding in the pits. You must use caution while driving in the pit area or you will be subject to

a fine or suspension. No erratic driving.

**32.** Per the GHR track insurance company, quads will be limited to Sprint Car Teams ONLY, with restrictions. One quad per team and the quad must come with the team not in a separate vehicle. **Maximum** speed limit of **10** mph at all times. It is the drivers / owner responsibility to adhere to the Manufactures operational and safety standards when operating an ATV or quad type vehicle. Failure to comply may result in a fine and/or loss of privilege.

**33.** No firearms allowed in the pit area.

### **FIRE CONTROL**

1. It is recommended that teams have in the rear of their transporter an easily accessible fire extinguisher of at least 2.5 gal FFF or equivalent.

### **FLAGS**

**1. ORIGINAL START:** You must take the original Green Flag at the start of the main event in order to compete in that main event. If you come out once the race has started, you will be **disqualified**. Exception: Any qualified car that did not start at the original start of the event and was not replaced by an alternate car may join the event at the rear on the next race stoppage, provided the event has not exceeded 20% of said event at the discretion of the Race Director.

2. On the original start of any race, Drivers must stay double file nose to tail and may not pass until you cross the chalk line in turn four. If you pass before the chalk line, you will be penalized two positions at the next race stoppage or at the end of the race. There will be a white line in turn 4 to indicate where the race is started. Drivers on the front row of any race that deliberately jump a start may be put back a row.

3. On any start of a race, if a car drops out, the row will move up, **no criss crossing**.

**4. RE-STARTS:** All restarts will be double file behind the leader, the leader will set the pace. No passing until you pass the chalk line in turn four. If there are two (2) false restarts the Race Director may choose to go to a single file restart with a cone, at the discretion of the Race Director. If you pass before the chalk line, or the cone if single file restart or hit the cone, you will be penalized two positions at the next race stoppage or at the end of the race.

**5. GREEN FLAG:** On any start or re-start, you will always receive the green. If the Race **Manager** does not like the start, it will be yellow flagged and re-start the race. Drivers on the front row of any race that jump deliberately may be put back a row on the restart. at the discretion of the Race Director You must remain side by side until you pass the chalk line in turn four.

**6. WHITE FLAG:** The White flag indicates one lap remaining in the event. Should the race be stopped on the last lap, the re-start will consist of two (2) laps, a green flag, white and a checked.

**7. BLACK and WHITE CHECKERED FLAG:** A Checkered Flag will indicate the end of the event. If the leader receives the Checkered Flag and crosses the finish line the race will be scored complete. Cars crossing the finish line before the race stoppage will be scored accordingly, the remaining cars will be scored as they completed the previous lap. Cars involved in the stoppage will be scored last on their respective lap.

**8. YELLOW FLAG:** A yellow flag condition is considered a race stoppage. Cars will slow to a pre-race speed and maintain a single file line. Cars out of position will be advised by track officials **and/or over the Raceceiver frequency** where to line up.

8.1 If a **Pace Truck** is on the track, **no cars are allowed to pass it** without permission. Violators will be sent to the rear of the field or disqualified.

8.2 Cars entering the work area during a yellow flag condition, that complete the work before the race is ready to resume will be allowed to restart at the rear of the lineup. Lineup will be the order in which they return to the track.

8.3 Cars involved in the race stoppage that go to the work area will be given the time it takes the pace truck to complete two laps past the flagman to make repairs. The laps begin when the last car involved arrives in the work area. Lineup will be the order in which they return to the track.

**Cars not involved in the race stoppage that go to the work area will not get a two lap work**

**period. The race will resume when the lineup is correct. Any driver causing two yellow flags will be disqualified for that event.**

**9. RED FLAG:** Cars must come to a complete, safe stop. Drivers are not allowed **to move** their car off the track on a red flag. Drivers may exit the track, only by permission of an Official or when the track goes to a yellow condition. Failure to abide by this rule will result in a disqualification. On an **“Open Red”**, the crew may work on the car on the track. If a tire change is required, the car must go to the work area.

**10. BLACK FLAG:** Drivers receiving a black flag will leave the track immediately, failure you to do so will result in disqualification from that event.

**11. Blue Flag with a Yellow Stripe:** If a driver receives a blue flag with a yellow stripe. It means hold your grove leaders are coming up upon you.

### **RACE PROCEDURES AND LINEUPS**

Race Procedures and Lineups will follow IMCA Procedures posted at IMCA.com

With the exceptions listed here. In the event there is a conflict between IMCA and Grays Harbor Raceway Rules and Procedures. Grays Harbor Raceway rules and procedures shall prevail.

**1. MAIN EVENT: Twenty (25) laps.** A maximum of **eighteen (18)** cars will start the A-Main. **Straight up by heat race finish before inversion is applied. Promoters option to add cars.**

**2. Cars that enter the work area with 5 laps or less remaining in the race (event) will not be given 2 lap wait period for repairs. When the lineup is correct the race will resume.**

**3. Lapped cars will be put in running order behind the lead lap cars when 5 laps or less remain.**

**4. On Mid-season the format will be a regular event format.**

**5. Championship night the top six (6) in car owner points will be locked into the ‘A’ main. They will line straight up by points, they will race a six lap scramble race. The finish determines the starting lineup for the main. All other cars will draw a pill and start straight up behind the top six. If a "B" main is necessary, there will be heat races to determine the main event line up. Top 3 in the heats to the "A" main. "B" main lined straight up by heat finish's.**

**6. Cars that enter the work area with 5 laps or less remaining in the race will not be given the 2 lap wait period for repairs. When the lineup is correct the race will resume.**

**6.1 Lapped cars will be put in running order behind the lead lap cars when 5 laps or less remain.**

7. Switching car number and driver not permitted.

8. Each driver can enter only one car. No driver will be permitted to change cars after taking the green flag of his/her heat. An exception to this rule will be a two day race.

9. Race format and/or changes will be presented at the drivers meeting.

10. The lineup posted on the pit board shall be final. In the event of a car dropping out, the row will move straight forward.

11. The start will be official with the green flag. No passing the pace vehicle without permission. Violators will be sent to the rear of the field or the pit area.

12. A white line or Cone will be placed on the turn 4 area for all double file starts. A cone will be placed on the front stretch for single file restarts. All cars must remain in proper order until they pass the chalk line or cone. If the front row car or cars are out of position a yellow may be displayed, and a warning given to offender. Any further violation will result in the offender being placed a row back. Any other car not in proper position, in the Officials judgment, may be penalized a minimum of 2 positions for each position gained. This penalty will be imposed on the next race stoppage. If there is no race stoppage the penalty will be enforced at end of race.

13. Top three to tech in heats and mains.

## **POINTS SYSTEM**

**Grays Harbor Raceway will follow IMCA point format. Refer to IMCA.com**

**Decisions of Grays Harbor Raceway Management and/or Officials are final and binding without exception.**

**Any part or equipment found during an inspection or any other time that does not meet applicable IMCA and Grays Harbor Raceway standards may be confiscated by GHR Tech Officials for further evaluation. Failing to not forfeit the part or parts may result in a fine, and/or loss of points and/or suspension.**

**Grays Harbor Raceway Officials reserve the right to make final decisions in the interpretation of any rules or race procedures at any time.**

**No equipment will be considered as having been approved by reason of passing through inspection, GHR Officials recommend that you carefully study the Grays Harbor Raceway rulebook in order to be familiar with all aspects of the rules, safety and racing. Follow the manufactures recommendations on all parts, safety components and gear.**

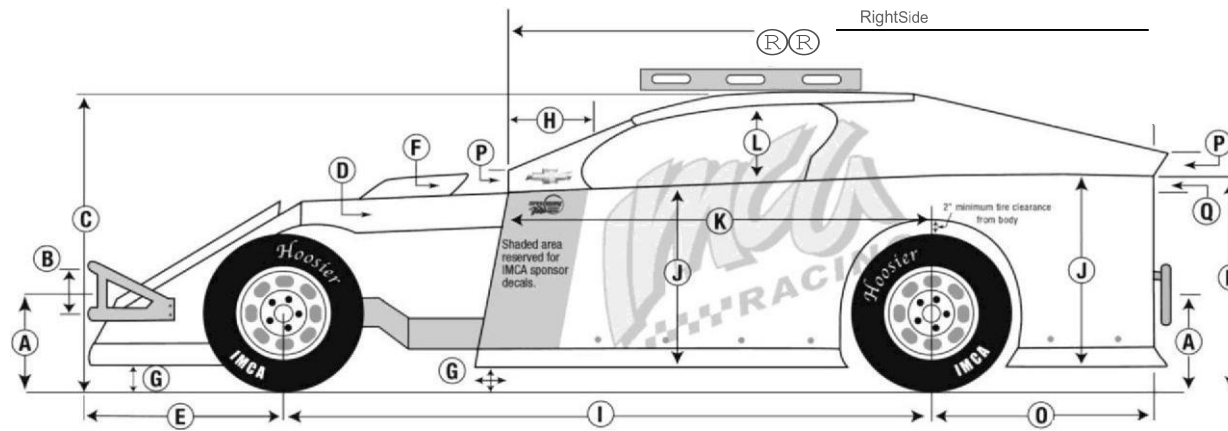
**If you are considering a part, modification or procedure not covered in these rules, contact Grays Harbor Raceway management before proceeding with any purchases or modifications.**

**If you have any questions regarding the rules set forth, contact the Grays Harbor Raceway management.**

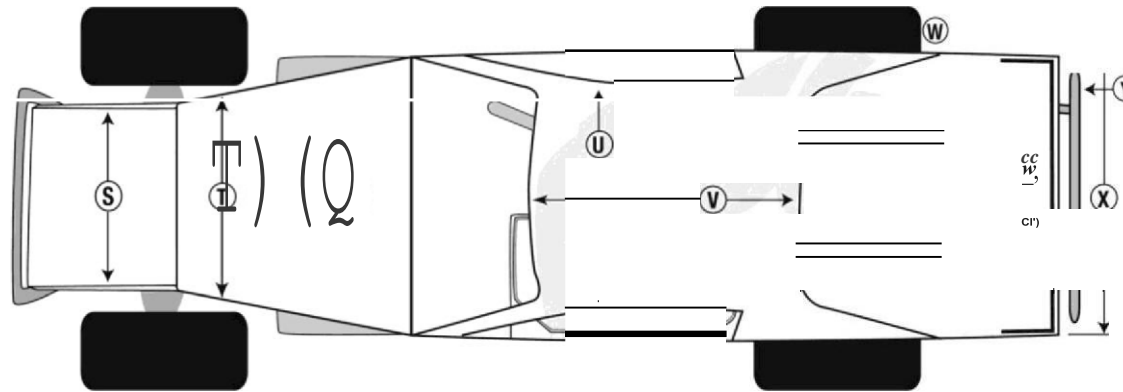
**In keeping with Grays Harbor Raceway's commitment to maintaining proper balance in the competition arena, it may be necessary for Grays Harbor Raceway to make rule changes and/or rule modifications from time to time. Such changes are designed to enhance close competition.**

**EIRI: (Except in rare instances) Decisions of Track/Circle Motion Promotions, LLC's Officials are final and binding without exception. In some cases, track safety rules and procedures may take precedence over IMCA rules - any discrepancy between IMCA and track rules should be brought to the attention of Circle Motion Promotions, LLC management for clarification on the procedure followed. Any rule changes or clarifications of these Track Rules and Procedures during the course of the year will be amended at Grays Harbor Raceway website.**

# IMCA Modified Body Dimensions For 2020



All body measurements are max. unless otherwise specified. Dimensions have zero tolerance.



Sail Panel 1" Max Curve at center no tolerance

Max 4" bow at center of sail panel. No bends, or breaks

Interior

Body-

- A** 20" max. 16" min. (ground to center of bumpers, 1 front and rear)
- B** 6.5" min. (center to center)
- C** 54" max. roll cage, 56" max. roof, 42" min. both
- D** Hood 6" max. drop (sides), sealed off from driver's compartment and max. 6° rake.
- E** 36" max.
- F** 6" max. scoop cannot extend past front of hood.
- G** 4" min. ground clearance; Door may extend max. 6" past block at bottom, both sides.
- H** 19" max., must be same on both sides.
- I** 112" max. 108" min.
- J** 31" max. 27" min.
- K** 72" max. or not past back of block at top. Left side may extend forward to cover foot box.
- L** 18" max. 12" min. opening, both sides.
- M** With level, must have no more than 2" clearance at rear of roof and 5" at top front
- N** 120" max. 106" min.
- O** 48" max. 34" min.
- P** 4" max at front and rear, gradual slope from roof to this point.
- Q** Interior slope is 6° max. front to rear and flat across. 11" flat at front half of interior you have used up 50% of your 6" so from behind driver to rear you may only have 3". Top of interior must be flush with top of door and quarter panels. Optional escape hatch from driver to passenger door allowed.
- R** 38" max. 28" min.
- S** Min. 24" nose must be flat <11d flush with sides. **T** 66" max. 24" min., must cover radiator **U** 52" max. 44" min. (includes sides)
- V** 56" max. 47" min.
- W** Tires max 1" inside body both sides.
- X** 66" max. 53" min. same front to back.
- Y** IMCA decal required on filler panel.
- REAR FILLER PANEL:** B" min. / 90 degree angle. Must be solid, attached to deck, extend to quarter panels, securely fastened.
- SAIL PANELS:** Must slope down from rear edge of roof and extend from roof to rear of car and

be the same on both sides. May extend 2" maximum past rear edge of interior deck. Must mount within 2" of outside edge of interior deck.